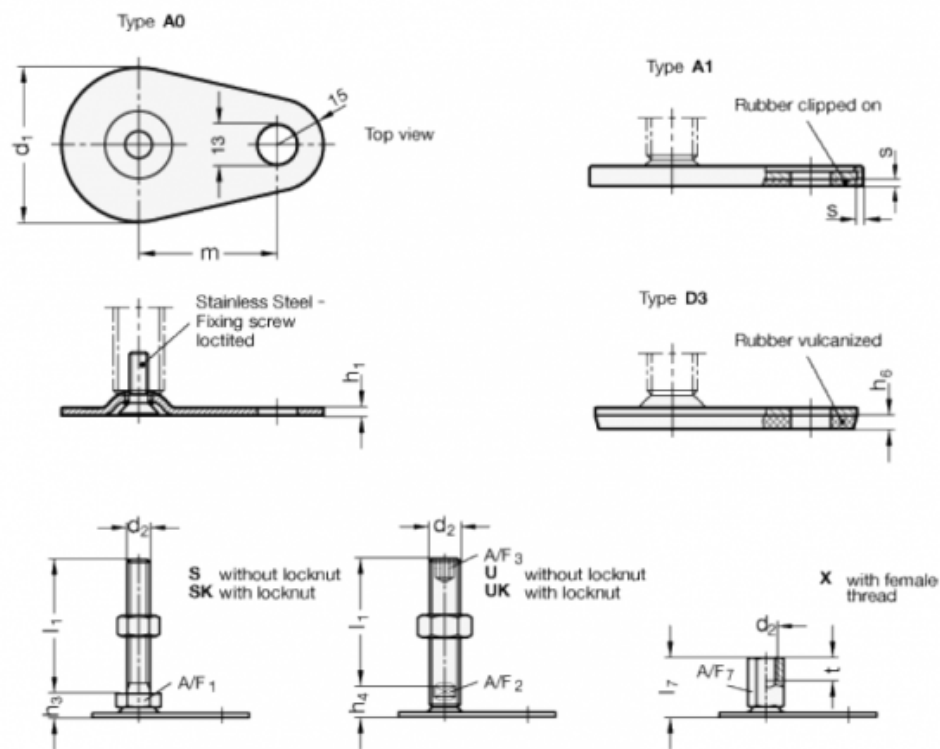


Article number: 204280M1638A1X  
 Description: E+G levelling foot  
 GN 42-80-M16-38-A1-X  
 Note: X With female thread, External hexagon

## Measures



A/F7 = 22	t = 16
d1 = 80	
d2 = M16	
h1 = 3	
h6 =	
l7 = 38	
m = 70	
s = 2	